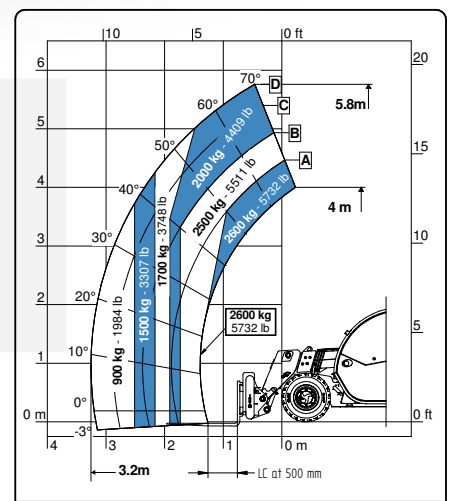
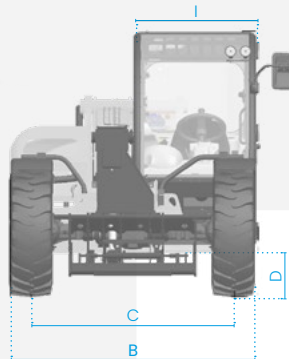
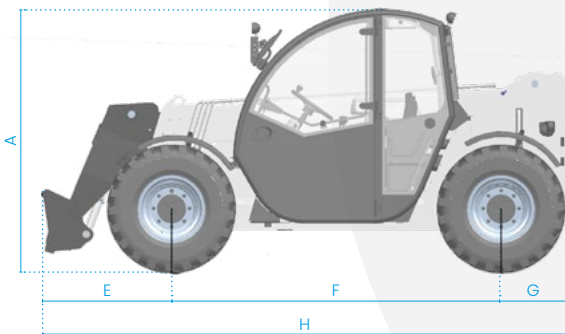


# 6.26 FULL ELECTRIC



It brings to the attention of all potential customers, all recipients, and to the maximum extent possible, external interlocutors, that Faresin Industries S.p.A. adopts a general Disclaimer regarding the description of the technical and functional characteristics of its machineries, as well as the manner of their use, also with regard to their safety. The Disclaimer must be understood as having a general scope, and therefore Faresin Industries s.p.a. invites to know it, also by accessing the website: [www.faresindustries.com](http://www.faresindustries.com)



**FARESIN.COM**



# 6.26 FULL ELECTRIC

## TECHNICAL FEATURES

MODELS		6.26E
<b>DIMENSIONS</b>		
Height	mm	1935
Width	mm	1890
Length	mm	4035
Cabin width	mm	960
<b>WEIGHT</b>		
Weight	kg	4800
<b>DETAILS</b>		
Number of extracting sections	nr	1
Max capacity	kg	2600
Max lifting height	m	5,9
Max horizontal boom extension	m	3,2
Boom extension at max height	m	0,3
Swinging Angle	°	155
<b>TANK CAPACITY</b>		
Hydraulic oil tank	l	70
<b>CONNECTION FOR EQUIPMENT</b>		
FH		●
EURO		○
<b>TYRES</b>		
12-16,5		●
Turning radius	m	3,25

NOTE: All dimensions defined on model with wheels 12-16,5

● Standard    ○ Optional    - Not available

CONFIGURATIONS		FULL ELECTRIC
<b>TRANSMISSION</b>		
Transmission		electric
Speed	km/h	12
<b>ENGINE</b>		
Transmission S2	kW	30
Hydraulic services S3	kW	18
<b>HYDRAULIC</b>		
Pump type		gears pump
Hydraulic capacity	l/bar	80/230
<b>OTHER</b>		
Joystick		mechanical-electro proportional
Cabin		Queen Cab
Quick coupling		○
Front and rear LED lights		○
Floating boom		○
Boom suspension		○
Manual 6-way diverter		○
PEB (Boom Electric Socket)		○
Front constant flow		○
Bucket mode		●
<b>SPECIAL FEATURES</b>		
Air conditioning		○
Forward buzzer avas		○
Farmatics		FULL - LITE (2-5 years)

BATTERIES	24 kW/h (315 Ah)	32 kW/h (420 Ah)	43 kW/h (560 Ah)
<b>AUTONOMY STANDARD CYCLE INTENSIVE</b> (eco mode)	UP TO 3 HOURS	UP TO 4 HOURS	UP TO 6 HOURS
<b>AUTONOMY STANDARD CYCLE NOT INTENSIVE</b> (eco mode)	UP TO 6 HOURS	UP TO 8 HOURS	UP TO 11 HOURS

CHARGERS			
<b>STANDARD ON BOARD MONO PHASE CHARGER</b> POWER INPUT ⚡ 16 A POWER OUTPUT ⚡ 35 A (effective) ⚡ 240 VAC 80 VDC	0-80%	6 h	8 h 50 m
	0-100%	8 h 15 m	11 h 40 m
	25-80%	4 h 30 m	/
<b>EXTERNAL THREE PHASES CHARGER 400V - 80A</b> POWER INPUT ⚡ 18 A POWER OUTPUT ⚡ 80 A (effective) ⚡ 400 VAC 80 VDC	0-80%	3 h 10 m	4 h 30 m
	0-100%	4 h 50 m	6 h 20 m
	25-80%	2 h 10 m	/
<b>EXTERNAL THREE PHASES FAST CHARGER 400V - 200A</b> POWER INPUT ⚡ 43 A POWER OUTPUT ⚡ 200 A (effective) ⚡ 400 VAC 80 VDC	0-80%	1 h 10 m	1 h 40 m
	0-100%	2 h	2 h 45 m
	25-80%	/	/
<b>ON BOARD FAST CHARGER</b> POWER INPUT ⚡ 16 A POWER OUTPUT ⚡ 110 A (effective) ⚡ 400 VAC (3F+N) 80 VDC	0-80%	2 h 20m	3 h
	0-100%	3 h 20m	4 h 30m
	25-80%	1 h 30m	2 h